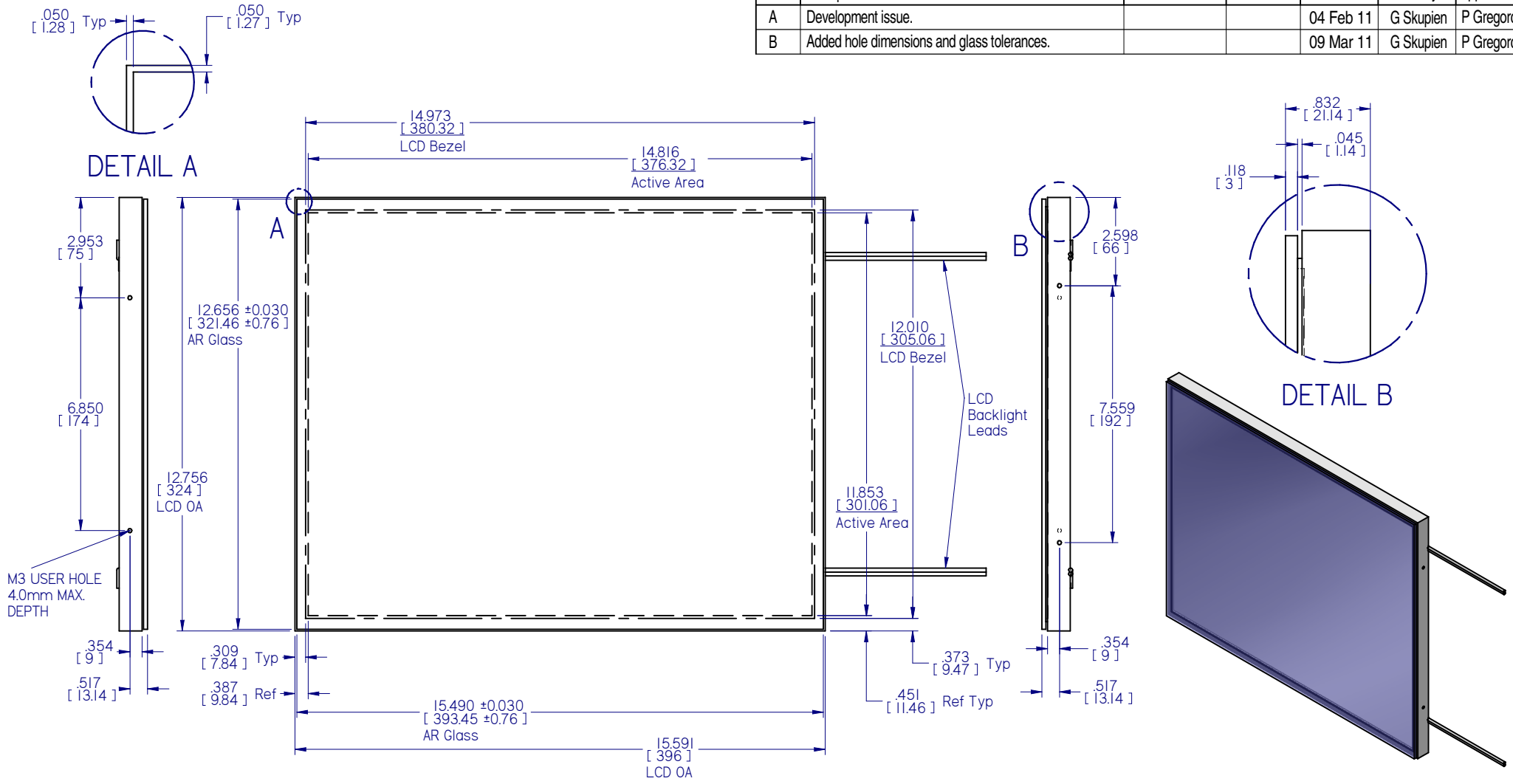




Issue	Description	AGILE Status	ECO	Date	Drawn By	Approved By
A	Development issue.			04 Feb 11	G Skupien	P Gregorcy
B	Added hole dimensions and glass tolerances.			09 Mar 11	G Skupien	P Gregorcy



	UNLESS OTHERWISE SPECIFIED DIMENSIONS ARE IN INCHES/mm ANGLES ±0.5° 2 PL ±0.030" 3 PL ±0.005" 1 PL ±0.76 2 PL ±0.13	TITLE 19" WITH BONDED 3mm AR			
		MATERIAL and FINISH 3mm AR			
APPROVED BY Perry Gregorcy	SCALE SCALE		DATE 2/1/2011	PART NUMBER CV190SX01	ISSUE B
PROJECT NAME	DRAWN BY gskupien	DIMENSION in/mm A2		FILE NAME CV190SX01_B.dft	SHEET 1 / 1