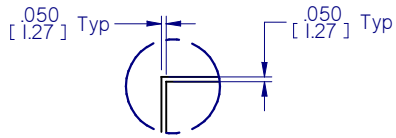
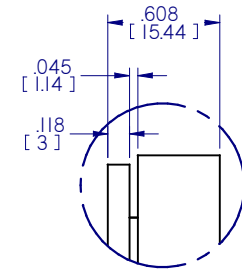
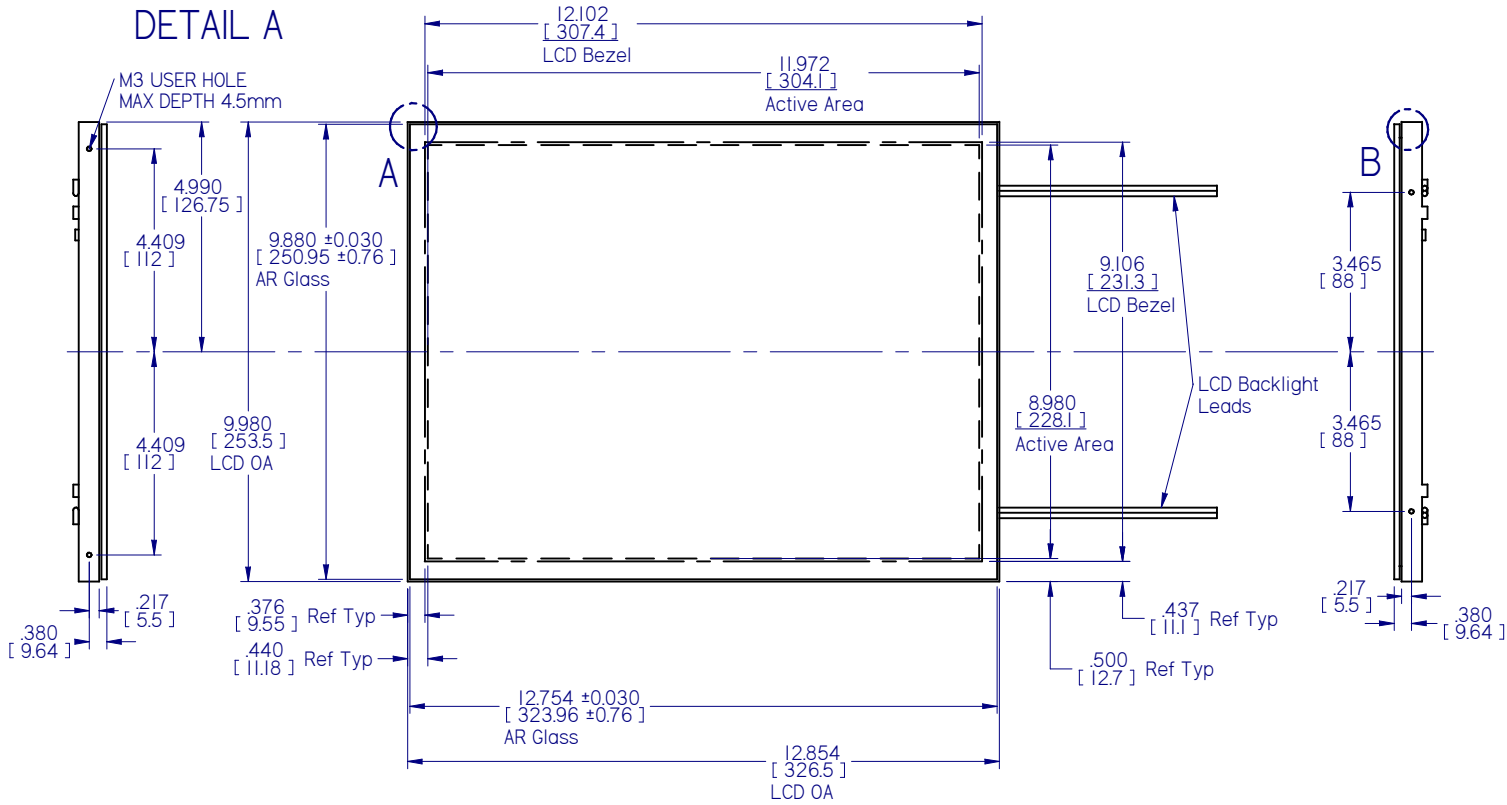


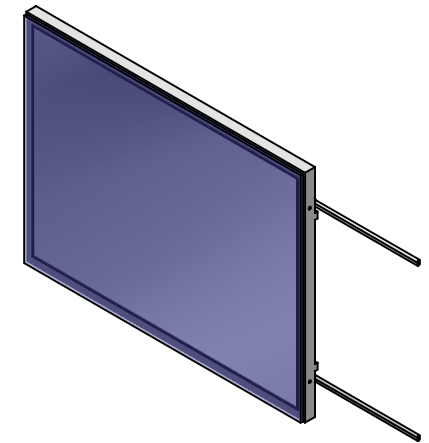
Issue	Description	AGILE Status	ECO	Date	Drawn By	Approved By
A	Development issue.			08 Feb 11	G Skupien	P Gregorcy
B	Chg LCD bezel & active area dims. Added mtg.hole dim.			09 Mar 11	G Skupien	P Gregorcy




DETAIL A



DETAIL B



	UNLESS OTHERWISE SPECIFIED DIMENSIONS ARE IN INCHES/mm ANGLES ±0.5° 2 PL ±0.030" 3 PL ±0.005" 1 PL ±0.76 2 PL ±0.13		TITLE 15" WITH BONDED 3mm AR		
			MATERIAL and FINISH 3mm AR		
APPROVED BY Perry Gregorcy			FINAL SUPPLIED PART MUST BE FULLY COMPLIANT WITH EU DIRECTIVE 2002/95/EC, "RESTRICTION of use of HAZARDOUS SUBSTANCES" (RoHS)		
PROJECT NAME	SCALE SCALE	DATE -2/4/2011	PART NUMBER CV150XG01	ISSUE B	
DRAWN BY gskupien	DIMENSION in/mm	A2	FILE NAME CV150XG01_B_I5AR_Bond.dft	SHEET 1 / 1	